

CONCRETE MACHINERY PRODUCT MANUAL

ZHENGZHOU CAMELWAY MACHINERY MANUFACTURE CO.,LTD.



CAMELWAY
MACHINERY

CONCRETE MACHINERY PRODUCT MANUAL

CamelWay Machinery Manufacture Co., Ltd.

Web: www.camelway.com

Tel: 008615890176575

Email: sales02@camelway.com

Skype: camelway1

Fax: 008637165861528

Mobile: 008615890176575

Whatsapp: 008615890176575

Address: CamelWay Industrial Park, No.446 Zhengshang
Road, Zhengzhou City, Henan Province, China

ZHENGZHOU CAMELWAY MACHINERY MANUFACTURE CO.,LTD.



CAMELWAY MACHINERY COMPANY PROFILE

CHINA'S TOP 5 LARGE PROFESSIONAL CONSTRUCTION MACHINERY ENTERPRISES

CamelWay Construction Machinery Group is one of china's top 5 large professional construction machinery enterprises, with more than 30 years experience on the production, China Well Known Trademark. CamelWay run four factories with more than 280,000 m², total investment of 80 million USD and 2,200 employees. Besides, we focus on concrete machinery producing business with 30 million USD sales amount each year. Which makes CamelWay acting as the leading manufacture group in this field.

CamelWay has more than 24 workshops, includes full metal processing workshops, Welding workshop, casting workshop, machining workshop, parts warehouse, Matching warehouses, Assembly workshop etc. Our company mainly produce concrete Mixer/Batching Plant, Tower Crane, sand making machine and other concrete machinery. CamelWay's products has been exported to many countries, such as Russia, Mongolia, Kazakhstan, Philippines, Brazil, South Africa, UAE, Vietnam, Brazil, Thailand, Pakistan, Colombia etc, has obtained more and more customers approval both in and abroad with good quality and service.

ENTERPRISE CULTURE

We adhere to the people-oriented policy and the service first, constant innovation to create value for customers to meet the increasing requirement of customers.

In response to "The belt and road", to promote regional economic cooperation and achieve common development and prosperity.



CHINA'S TOP 5 PROFESSIONAL CONSTRUCTION MACHINERY & SOLUTION SUPPLIER



JS SERIES MIXER

JS series concrete mixer is a kind of forced horizontal-axis mixer, Can be operated stand-alone, and also composed of PLD series batching machine to be concrete batching plant, which can be adjusted according to the special requirements of customer.

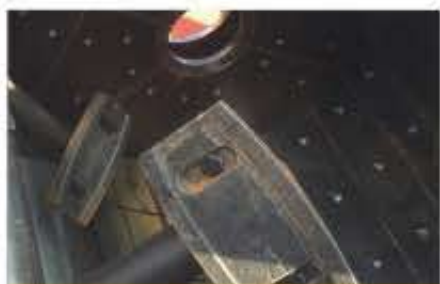
▶ JS500/JS750



Exclusive Twin Extra-Heavy Shafts



Solid manganese steel twin shafts, more than 130mm diameter.



Mixing arms are inserted & sealed into shafts, more strongly on mixing.



Lined with high chromium cast iron, high wear resistance, also has a strong impact resistance.

▶ JS1000/JS1500

Easy To Replace Extended Life



The connection of the mixing arm to the shaft is split-type bolt connection (easy to replace)

Shaft end seal supports the mixing device, protect the shaft without leaking, extend the life of bearings and other spare parts.



▶ JS2000/JS3000



Advantage



Imported SICOMA mixer
 9.2 Tons with manganese steel materials
 Planetary reducer, reliable quality, easy maintenance
 Multisealing structures effectively prevent leakage
 SICOMA technical support, after sale service
 large capacity, high efficiency, suitable for the production of commercial concrete

▶ JS TECHNICAL PARAMETER

Model	JS500	JS750	JS1000	JS1500	JS2000	JS3000	
Discharging Volume	500L	750L	1000L	1500L	2000L	3000L	
Charging Volume	1200L	1200L	1600L	2400L	3200L	4800L	
Capacity(m ³ /h)	25	35	60	90	120	180	
Max. Aggregate Size(mm)	≤40/50	≤40/60	≤60/80	≤60/80	≤80/100	≤80/120	
Discharge Height(m)	3.8	3.8	3.8	3.8	3.8	3.8	
Weight(Ton)	4	5.5	8.7	11.2	7.5	9.2	
Cycle Time(s)	60	60	60	60	60	60	
Mixing Blades	Speed(r/min)	35	26	29.6	23.5	24.5	21
	Quantity	2×7	2×7	2×8	2×8	2×8	2×10
Mixing Motor	Model	Y180M-4	Y200L-4	Y180M-4	Y180L-4	Y250M-6	Y280M-6
	Power(KW)	18.5	30	2×18.5	2×22	2×37	2×55
Hoisting Motor	Model	YEZ132S-4	YEZ132M-4	YEZ160L-4	YEZ180L-4		
	Power(KW)	5.5	7.5	15	18.5	-	-

HZS CONCRETE BATCHING PLANT INTRODUCTION

HZS series of concrete batching plant consists of the material supplying, weigh, mixing and electrical control system. This series of concrete plant have high productivity, with discharge height of 3.8/4m, suitable for all types of concrete mixing , as industrial civil engineering, water and electricity, ports, roads, railways, airports, bridges and other construction of concrete and concrete prefabricated products, also commercial concrete production plant.

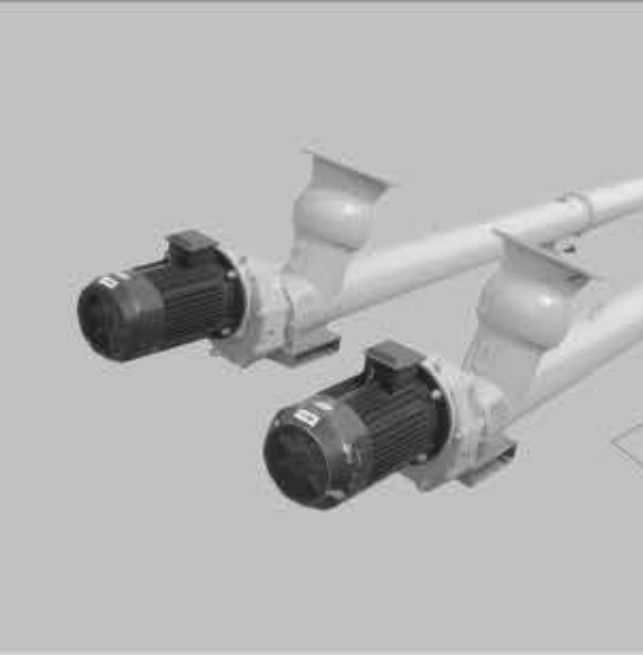


▶ HZS25





▶ HZS50



▶ HZS60



▶ HZS75



▶ HZS90



▶ HZS120



▶ HZS180



▶ HZS TECHNICAL PARAMETER

Model		HZS25	HZS35	HZS50	HZS60	HZS75	HZS90	HZS120	HZS180
Capacity (m ³ /h)		25	35	50	60	75	90	120	180
Mixer		JS500	JS750	JS1000	JS1000	JS1500	JS1500	JS2000	JS3000
Aggregates batcher		PLD1200	PLD1200	PLD1600	PLD1600	PLD2400	PLD2400	PLD3200	PLD4800
Discharge height (m)		1.5-3.8	2-3.8	3.8	3.8	3.8	3.8	4	4
Weighing accuracy	Aggregate	±0.02	±0.02	±0.02	±0.02	±0.02	±0.02	±0.02	±0.02
	Powder	±0.01	±0.01	±0.01	±0.01	±0.01	±0.01	±0.01	±0.01
	Water	±0.01	±0.01	±0.01	±0.01	±0.01	±0.01	±0.01	±0.01
	Additive	±0.02	±0.02	±0.02	±0.02	±0.02	±0.02	±0.02	±0.02
Aggregates feeding		Lifting	Lifting	Lifting	Belt	Lifting	Belt	Belt	Belt
		hopper	hopper	hopper	conveyor	hopper	conveyor	conveyor	conveyor

MIXING STATION FOUR SYSTEMS



► MIXING SYSTEM

It is a horizontal double shaft forced mixer. This concrete mixer rely on the shaft rotation to let the material stir more evenly, discharge without separation, high efficiency. Save-time and energy. Shaft end with multi-level seal design to avoid the slurry leakage and extend the life of the mixer, cost savings.

► MATERIAL STORAGE & WEIGHING SYSTEM

This series of concrete batching machine with corresponding concrete mixer, can be composed of a variety of forms and specifications of modular concrete batching plants. It costs only 1/2-1/3 of the same size concrete mixing plants and it is also very easy to install and move. This concrete batching machine is ideal equipment for high quality concrete of on-site production.



Specification	PLD4800	PLD3200	PLD2400	PLD1600 (Pneumatic Individual Type)	PLD1600 (Cumulative Weighing)	PLD1200 (Cumulative Weighing)
Weighing Hopper Volume(L)	4×2000L	4×1500L	4×1200L	4×800L	1600L	1200L
Storage Silo Volume(m ³)	4×23	4×18	4×15	4×6	(2-4)×5	(2-4)×3.5
Theoretical Productivity(m ³ /h)	180	160	120	75	75	56
Feeding Height(m)	5	4.5	3.5	3.2	3	2.9
Feeding Belt Speed(m/s)	1.25	1.4	1.25	1.25	1.4	1.25
Power(kw)	18.5	15	11	11	(3-5)×5.5	(3-5)×3

POWDER SUPPLYING SYSTEM

► POWDER SUPPLYING SYSTEM

Screw conveyor is used to convey various powdery materials as cement and fly ash. It works together with cement silos and weighing systems. Common size in diameter 219/273/325mm, 6/9/11m, with 7.5-18.5kw at different types.



Model	LSY 250	LSY300
Screw diameter(mm)	250	300
Delivery length(m)	6-9	6-9
Screw Rotation speed (r/min)	209	174
Outer cover diameter (mm)	φ273	φ325
Operate Angle	≤45°	≤45°
Delivery Capacity(t/h)	50	75
Motor model	Y160M-4	Y180M-4
Motor power(kw)	7.5-11	11-18.5



▶ AUTOMATIC CONTROL SYSTEM



Animation simulation shows the production process of concrete station

With automatic compensation for ingredients, fault alarm function

Automatic adjustment of the gap to ensure the accuracy

Weighing underweight compensation, over scale alarm

Digital calibration scale is simple, intuitive, easily operate by the PC

Store all kinds of production data, choose to print car report



INSTALLATION



MIXER TRUCK

Concrete mixing truck delivers mixed concrete to project rapidly. CamelWay set up its own mixing truck workshop in 2013, full automatic mechanical lifting arm welding device without human operation. Mix truck bottom purchase from china top factory.

Type Specification	HJG-3	HJG-6	HJG-8
Mixing volume	3m ³	6m ³	8m ³
Feeding speed	≧3m ³ /h	≧3m ³ /h	≧3.6m ³ /h
Discharging speed	≧1m ³ /h	≧1m ³ /h	≧1.2m ³ /h
Axis inclination	16°	16° ±15'	15° ±15'
Mixing speed	0-10r/min	0-8r/min	0-20r/min
Charging height	3.1m	3.3m	3.38m
Discharge minimum height	1m	1m	1.2m
Dimension(L*W*H)	4.15m × 2.5m × 2.15m	5.25m × 2.25m × 2.45m	6.55m × 2.25m × 2.55 m
Total weight	3000kg	4500kg	6000kg





STABILIZED SOIL MIXING STATION

Type	WBZ200	WBZ300	WBZ400	WBZ500	WBZ600
Rated Productivity	200t/h	300t/h	400t/h	500t/h	600t/h
Aggregate Size	≤60mm	≤60mm	≤60mm	≤60mm	≤60mm
Aggregate Bin Volume	3 × 4.5m ³	3 × 6m ³	4 × 6m ³	4 × 8m ³	4 × 10m ³
Mixing Material Bin Volume	6m ³	6m ³	6m ³	8m ³	10m ³
Aggregate Weighing Accuracy	< ±2%	< ±2%	< ±2%	< ±2%	< ±2%
Water Weighing Accuracy	< ±1% - ±2%	< ±1% - ±2%	< ±1% - ±2%	< ±1% - ±2%	< ±1% - ±2%
Cement Weighing Accuracy	< ±1%	< ±1%	< ±1%	< ±1%	< ±1%
Mixer Rotation Rate	63.2r/min	63.2r/min	63.2r/min	65r/min	65r/min
Total Power	75kw	102.7kw	120.2kw	155.5kw	175.5kw
weight	30000kg	39000kg	41000kg	51000kg	63000kg

SAND MAKING MACHINE - ADVANCED GERMANY TECHNOLOGY

sand making machine has introduced the most advanced design philosophy. Combined with domestic and overseas' market demand and field production experience, which has more than 10 patents of national intellectual property rights technology. And the sand making machine has the sand making, stone shaping, sand and nice-shaped stone mixed out, which serves several purposes.



Model	Feed size (mm)	Capacity (t/h)	Rotor diameter (mm)	Outlet number	Rotate speed (nvs)	Motor power (kw)
ZS1624	≤70mm	60-150	930×220	2	80	110-160
ZS2028	≤100mm	100-500	1210×220	2	70	160-400

Introduce advanced technology in Germany. Has more than 10 patents of national intellectual property rights technology.

Feed large particle size (beyond the limit of conventional vertical shaft impact crusher feed particle size) Improve double productivity

Only one motor. Ultra-low power consumption (Energy consumption reduced by 50%)

MIXING PUMP



MIX AND PUMP TOGETHER



MIX AND PUMP TOGETHER

ANCILLARY PRODUCTS



GENERATOR



ROAD ROLLER



CONCRETE SPREADER



CUTTING MACHINE



PACKING & SHIPPING

Standard container—20GP or 40GP, 40HQ according to configuration.

With wires for fastening the machine and frame structure inside the container

The electric items and installation components packed with strong and standard packages.

The added small spare parts packed in iron case according to the size and weight.



AFTER SALES & SERVICE



International trade team

Camelway have the most professional international trade team to ensure the trade high efficiency with your money safety.



Service Concept

Standardization, valued, seriation, differentiation, beyond our promise forever!



Service Strategy

Service more, heart by heart, service value, shared value!



Professional service engineer team

We have the four class services, including Pre-sale design, Sales tracking, After sales & Visit customers regularly.



Pre-sale design

Provide detailed and professional solutions for the questions of customers. Recommend the most optimal product model and configuration to meet customer needs.



Sales tracking

Ensure the quality of products, delivery accordance with the contract in strict.



After sales

Send experts for technical training and guiding installation and debugging, until the product stable operation.

Telephone feedback scheme 3 hours, 48 hours to thoroughly solve the product problem, guarantee the production on time. Visit customers by telephone regularly.